

5

4

3

2

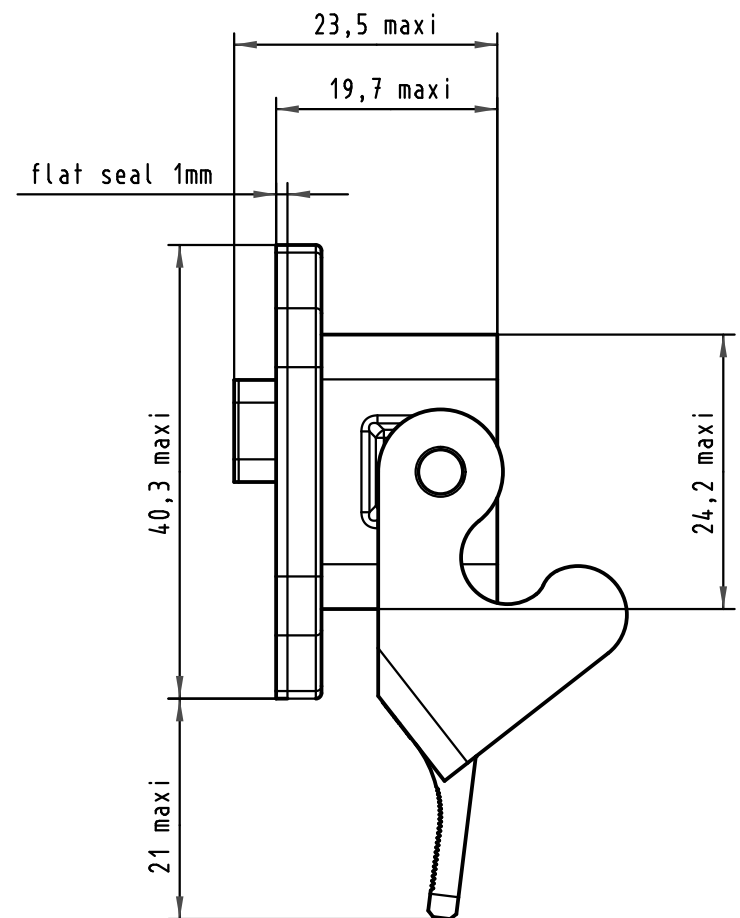
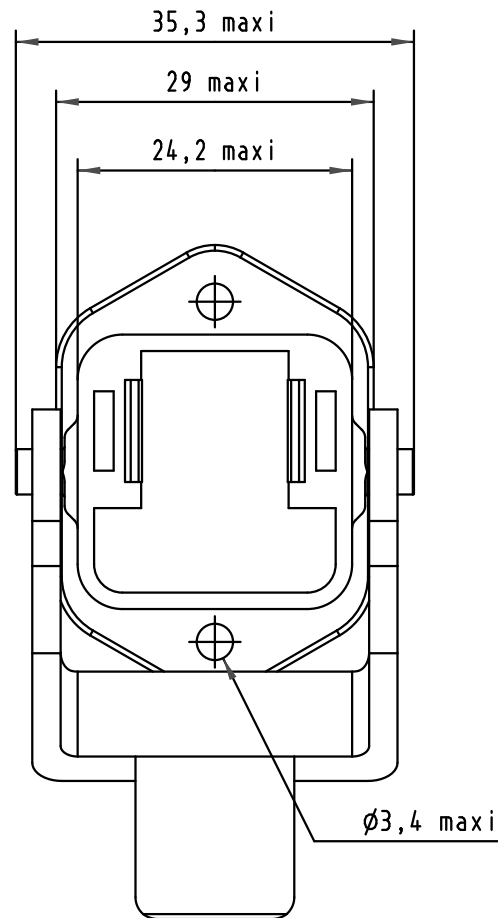
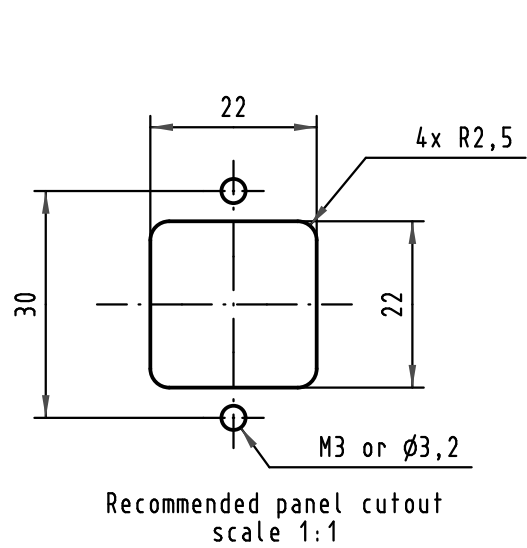
1

D

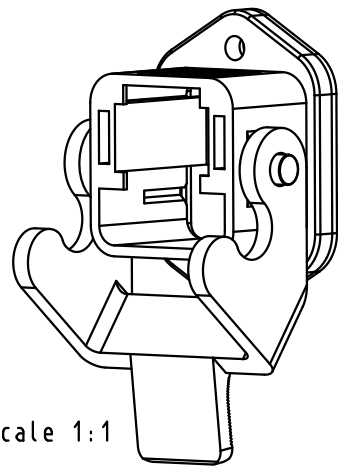
C

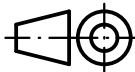

B

A



Connector pitch on panel
Axis X = 36 mm
Axis Y = 55 mm



				Det.	03/10/07	Name	BD	 All Dim. in mm Orig. Size DIN A 4	IP67 hybrid HAN 3A receptacle black plastic housing open lever down	Maßstab/ Scale 1,5:1	
				Insp.							
				Stand.							
				Mod.	34761	03/10/07	BD		TB 09 45 525 0021	Blatt/ Page 1 / 1	
											Sub.
				HARTING EURL F-95972 Paris							